



**JIXIN<sup>®</sup>** **JIAXIN VALVE**

ISO9001、CE  
認證企業

**JIAXIN  
MANUFACTURE  
PERFECT  
INNOVATION**

**JIXIN<sup>®</sup>** 浙江佳信阀门有限公司  
ZHEJIANG JIAXIN VALVE CO., LTD

④ 温州龙湾永兴小微园北区20幢 (1号门进3楼)	④ Building 20, North District, Yongxing Small and Micro Park, Longwan, Wenzhou (3rd Floor, Entrance 1)
☎ 0577-8692 0014	☎ 0577-8692 0014
☎ 0577-8692 1090	☎ 0577-8692 1090
✉ jiaxinvalve@126.com	✉ jiaxinvalve@126.com
<a href="http://www.jiaxinvalve.com">www.jiaxinvalve.com</a>	



佳信官网 Web



佳信 阿里商城

**浙江佳信阀门有限公司**  
ZHEJIANG JIAXIN VALVE CO., LTD.

# ABOUT US

## 关于我们

浙江佳信阀门有限公司，位于浙江省温州市龙湾经济开发区滨海园区，专注于研发制造、生产加工、销售和安装于一体的综合性企业，经验丰富，设备完善。

### 主导产品:

气动手动 (角座阀、隔膜阀、球阀、蝶阀、截止阀)

气动执行器、电动执行器，产品可根据用户需求加工定制。

公司坚持产品高品质，专业化，精细化，质量严格控制，完善，创新，用户至上，诚信经营。佳信始终遵循：不仅产品做的更好，服务做的更好，工艺做的更好，确保佳信产品在业界得到广大用户的认可，欢迎各界朋友莅临参观、指导和业务洽谈。

Zhejiang Jiaxin Valve Co., Ltd. is located in Binhai Park, Longwan Economic Development Zone, Wenzhou City, Zhejiang Province. It is a comprehensive enterprise focusing on R&D, manufacturing, production, processing, sales and installation. It has rich experience and perfect equipment.

### Leading products:

Pneumatic manual (Angle seat valve, Diaphragm valve, Ball valve, Butterfly valve, Globe valve)

Pneumatic actuator, Electric actuator, the product can be customized according to user needs.

The company insists on high-quality products, specialization, refinement, strict quality control, improvement, innovation, customer first, and integrity management. Jiaxin always follows: not only do the products do better, the services do better, the craft do better, to ensure that Jiaxin products are recognized by the majority of users in the industry, friends from all walks of life are welcome to visit, guide and negotiate business.

# APPLICATION FIELD

## 应用领域



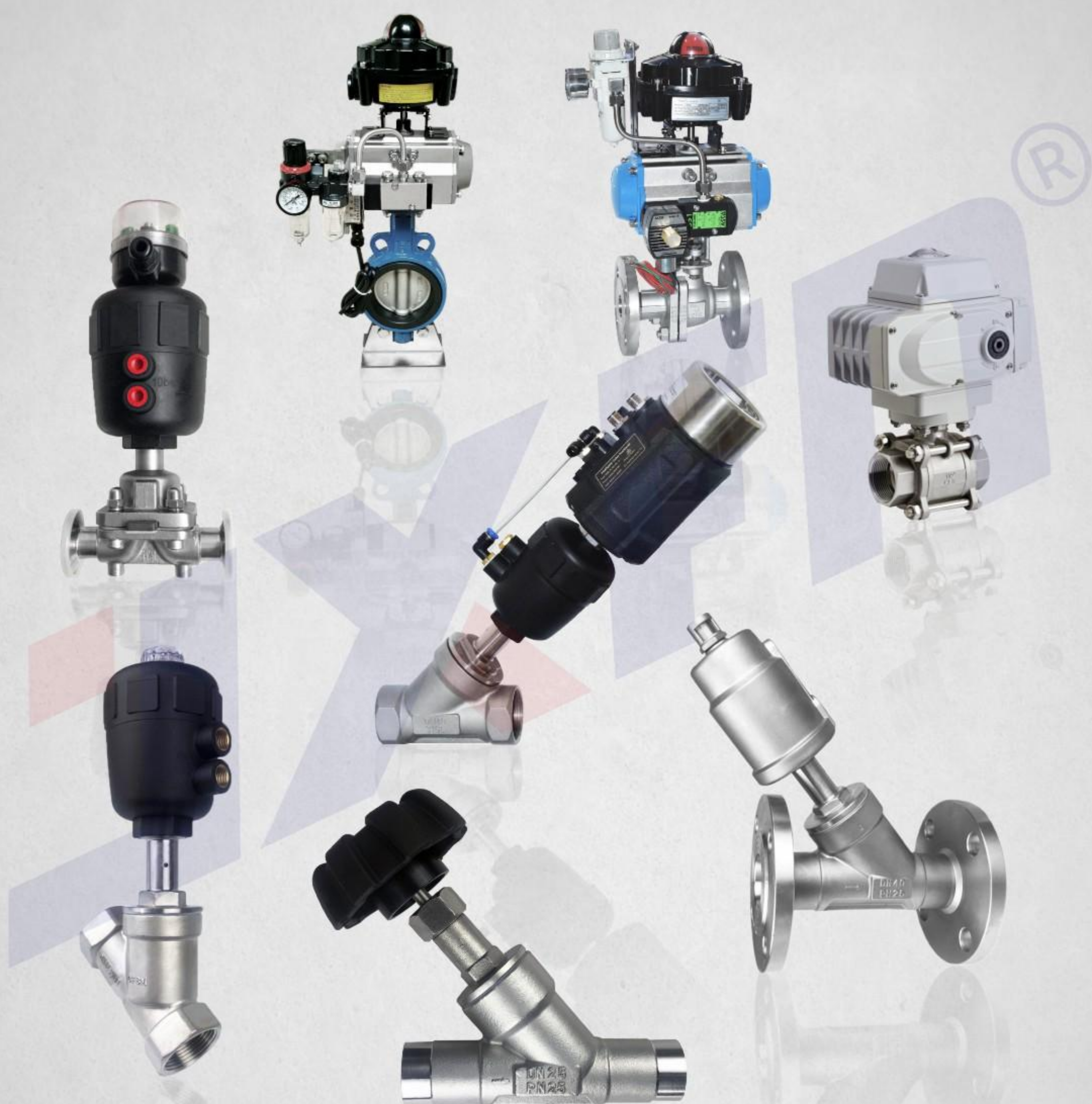
我们的产品可广泛应用于石油、化工、制药、食品、环保、冶金、消防、漂染、水处理等各种管道装置领域

Our products can be widely used in petroleum, chemical, pharmaceutical, food, environmental protection, metallurgy, fire protection, bleaching and dyeing, water treatment, etc.

# WORKSHOP LIVE

## 车间实况





### 角座阀系列 ANGLE SEAT VALVE SERIES

角座阀系列 Angle seat valve series	01-02
角座阀介绍篇 Angle seat valve introduction	03-04
塑料头 气动螺纹角座阀 Plastic head pneumatic thread angle seat valve	05
塑料头 气动法兰角座阀 Plastic head pneumatic flange angle seat valve	06
塑料头 气动快装角座阀 Plastic head pneumatic quick-install angle seat valve	07
塑料头 气动焊接角座阀 Plastic head pneumatic welding angle seat valve	08
全不锈钢 气动螺纹角座阀 All stainless steel pneumatic thread angle seat valve	09
全不锈钢 气动法兰角座阀 All stainless steel pneumatic flange angle seat valve	10
全不锈钢 气动快装角座阀 All stainless steel pneumatic quick-install angle seat valve	11
全不锈钢 气动焊接角座阀 All stainless steel pneumatic welding angle seat valve	12
管道和控制压力 参数表 Pipeline and control pressure parameter table	13-14
角座阀选型说明 Angle seat valve selection instructions	15-16
T型气动螺纹截止阀 T-type pneumatic thread globe valve	17
全不锈钢 气动切断阀 All stainless steel pneumatic shut-off valve	18
气动灌装阀 Pneumatic filling valve	19-20
1600系列 智能电气阀门定位器 1600 series intelligent electric valve positioner	21
产品描述及应用 Product description and application	22

### 隔膜阀系列 DIAPHRAGM VALVE SERIES

隔膜阀系列 Diaphragm valve series	23-24
气动快装隔膜阀 Pneumatic quick-install diaphragm valve	25
气动焊接隔膜阀 Pneumatic welding diaphragm valve	26
手动快装隔膜阀 Manual quick-set diaphragm valve	27
手动焊接隔膜阀 Manually welded diaphragm valve	28

### 气动阀门系列 PNEUMATIC VALVE SERIES

气动球阀系列 Pneumatic ball valve series	29-30
气动蝶阀系列 Pneumatic butterfly valve series	31-32
气动执行器系列 Pneumatic actuator series	33-38
气动高平台法兰球阀 Pneumatic high platform flange ball valve	39
气动螺纹球阀 Pneumatic thread ball valve	40
气动卫生级快装球阀 Pneumatic sanitary quick-install ball valve	41
气动V型对夹球阀 Pneumatic V-shaped wafer ball valve	42
气动对夹球阀 Pneumatic Wafer Ball Valve	43
气动法兰蝶阀 Pneumatic flange butterfly valve	44
气动卫生级快装蝶阀 Pneumatic sanitary quick-install butterfly valve	45
气动三通球阀 Pneumatic three-way ball valve	46

### 电动阀门系列 ELECTRIC VALVE SERIES

电动球阀系列 Electric ball valve series	47
电动蝶阀系列 Electric butterfly valve series	48
电动高平台法兰球阀 Electric high platform flange ball valve	49
电动三片式螺纹球阀 Electric three-piece threaded ball valve	50
电动卫生级快装球阀 Electric sanitary quick-install ball valve	51
电动对夹蝶阀 Electric wafer butterfly valve	52

气动螺纹角座阀

PNEUMATIC THREAD  
ANGLE SEAT VALVE



JZFCs-16P/R

JZFAS-16P/R

JZFBS-16P/R

JZFGMS-16P/R

气动T型截止阀

PNEUMATIC T-TYPE  
GLOBE VALVE



TXFCS

TXFAS

TXFBS

TXFAF

手动角座阀

MANUAL ANGLE  
SEAT VALVE



JZFSDK-16P/R

JZFSDS-16P/R

JZFSDF-16P/R

JZFSDH-16P/R

法兰角座阀

FLANGE ANGLE  
SEAT VALVE



JZFCF-16P/R

JZFAF-16P/R

JZFBF-16P/R

快装角座阀

QUICK-INSTALL  
ANGLE SEAT VALVE



JZFCK-16P/R

JZFAK-16P/R

JZFBK-16P/R

焊接角座阀

WELDED ANGLE SEAT  
VALVE



JZFCH-16P/R

JZFAH-16P/R

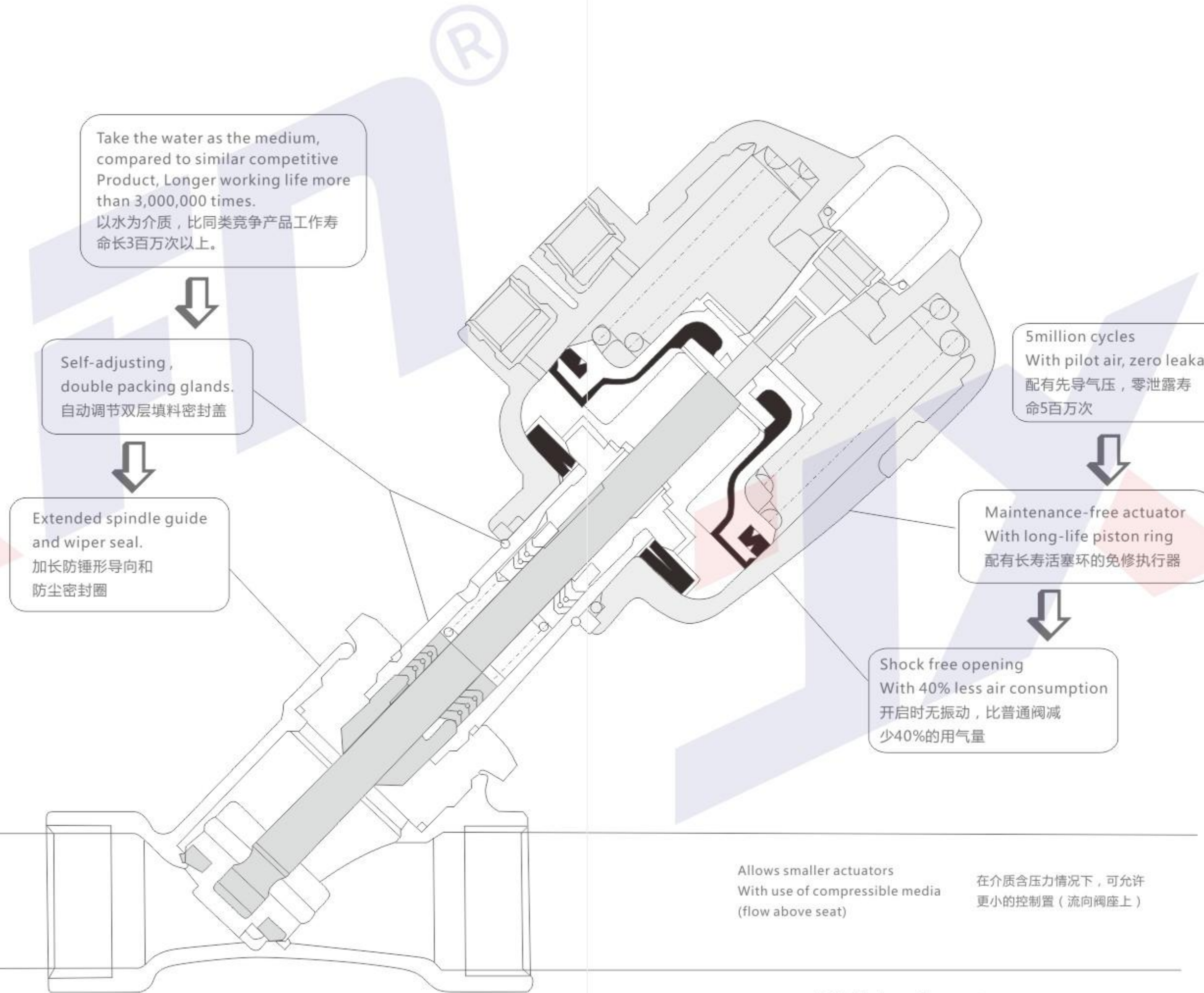
JZFBH-16P/R

一劳永逸

事实证明我们的角座阀工作寿命超过一百万次

50% more economical than ball valves  
比球阀经济50%  
600% longer service life than ball valves  
比球阀工作寿命长6倍  
Compact Design  
精密的设计  
Fast Response  
反应敏捷  
Water hammer-free  
水击作用极小

易安装  
Easy to install  
汽控接口可在360°上  
任意选定位置  
Motor control interface on the 360°  
Any position can be choose



Take the water as the medium, compared to similar competitive Product, Longer working life more than 3,000,000 times.  
以水为介质, 比同类竞争产品工作寿命长3百万次以上。

Self-adjusting, double packing glands.  
自动调节双层填料密封盖

Extended spindle guide and wiper seal.  
加长防锤形导向和防尘密封圈

5million cycles  
With pilot air, zero leakage.  
配有先导气压, 零泄露寿命5百万次

Maintenance-free actuator  
With long-life piston ring  
配有长寿命活塞环的免修执行器

Shock free opening  
With 40% less air consumption  
开启时无振动, 比普通阀减少40%的用气量

Allows smaller actuators  
With use of compressible media  
(flow above seat)  
在介质含压力情况下, 可允许更小的控制装置 (流向阀座上)

多种连接方式  
焊接, 螺纹口, 快装式和法兰。

50% higher flow rates than the Globe valves  
比截止阀高50%的流速

Water hammer-free  
(Flow below seat)  
无水击作用  
(流向阀座下)

Many connection options  
Weld ends, threaded ports,  
Tri-Clamp and flange connections.

食品和饮料流水线  
Food and beverage  
可控介质比如: 空气, 水, 高达180°C蒸汽, 碱性溶液和真空  
Processing industries control of mediums such as air, water, steam up to 180°C, lye, vacuum

纺织印染和漂白  
Textile dyeing and bleaching  
可控水, 高达180°C的蒸汽, 苏打液  
Control of water, steam up to 180°C  
Corium hypochlorite

医院和制药工业消毒高压灭菌器  
Sterilizers and auto-claves for hospitals and the pharmaceutical industry  
可控蒸汽高达 180°C的水  
Control of steam, hot water up to 180°C

洗衣  
Laundries  
可控水, 蒸汽, 洗涤剂  
Control of water, steam, washing agents

工业洗涤设备和溶解设备  
Control of solvents, steam, vacuum

可控溶剂, 蒸汽和真空  
Industrial washing equipment and solvent recovery systems

机械制造  
Machine tools  
可控冷却液  
Control of coolant agents

**塑料头气动螺纹角座阀**  
Plastic head pneumatic thread angle seat valve

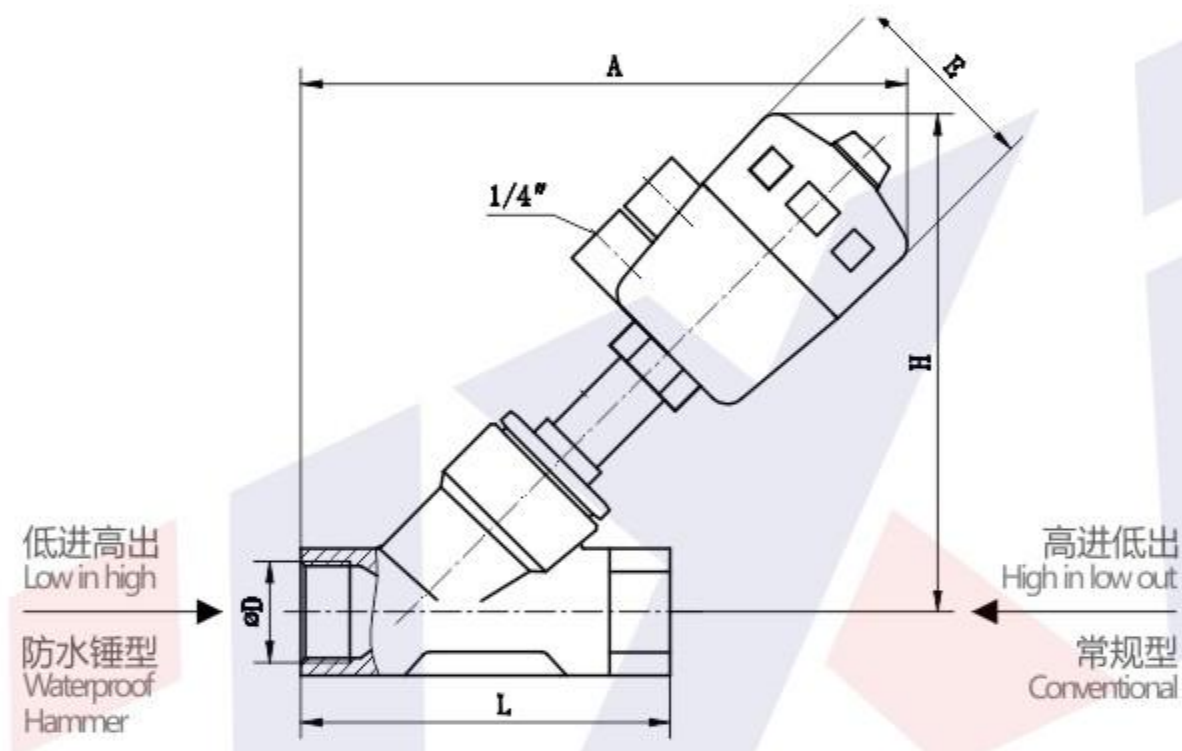


**技术参数**

介质温度: -20°C ~ +180°C  
环境温度: -20°C ~ +60°C  
公称压力: 1.6MPa  
控制气体: 中性气体, 空气  
气源压力: 0.3~0.8MPa  
规格: DN10-DN100  
阀体材质: CF8/CF8M  
阀座材质: PTFE  
阀杆材质: 304/316L  
密封圈材质: NBR

**Technical parameters**

Medium temperature: -20°C ~ +180°C  
Ambient temperature: -20°C ~ +60°C  
Nominal pressure: 1.6 MPa  
Control gas, gas, air  
Air pressure: 0.3 ~ 0.8 MPa  
Specification: DN10 - DN100  
The valve body material: CF8/CF8M  
seat material: PTFE  
Stem material: 304/316L  
Sealing ring material: NBR



螺纹标准: 英制圆锥管BSPT, 可根据用户要求定制BSP,NPT等标准。  
Thread standard: British conical tube BSPT, BSP, NPT and other standards can be customized according to user requirements.

型号 model	L	A	H	D	E	常规型执行器 Conventional actuator	防水锤 Waterproof hammer	A	H
DN8/DN10	65	160	140	3/8"	64	Φ50	Φ50	160	140
DN15	85	175	145	1/2"	64	Φ50	Φ50	175	145
DN20	95	180	150	3/4"	64	Φ50	Φ50	180	150
DN25	105	185/210	160/180	1"	64/80	Φ50/Φ63	Φ63	210	180
DN32	120	215	185	1 1/4"	80	Φ63	Φ80	240	205
DN40	130	220	190	1 1/2"	80	Φ63	Φ80	245	210
DN50	150	235/250	200/220	2"	80/100	Φ63/Φ80	Φ100	300	270
DN65	185	285	250	2 1/2"	100	Φ80	Φ100	330	300
DN80	210	370	310	3"	126	Φ100	Φ125	410	350
DN100	235	420	395	4"	126	Φ125	Φ125	460	430

**塑料头气动法兰角座阀**  
Plastic head pneumatic flange angle seat valve

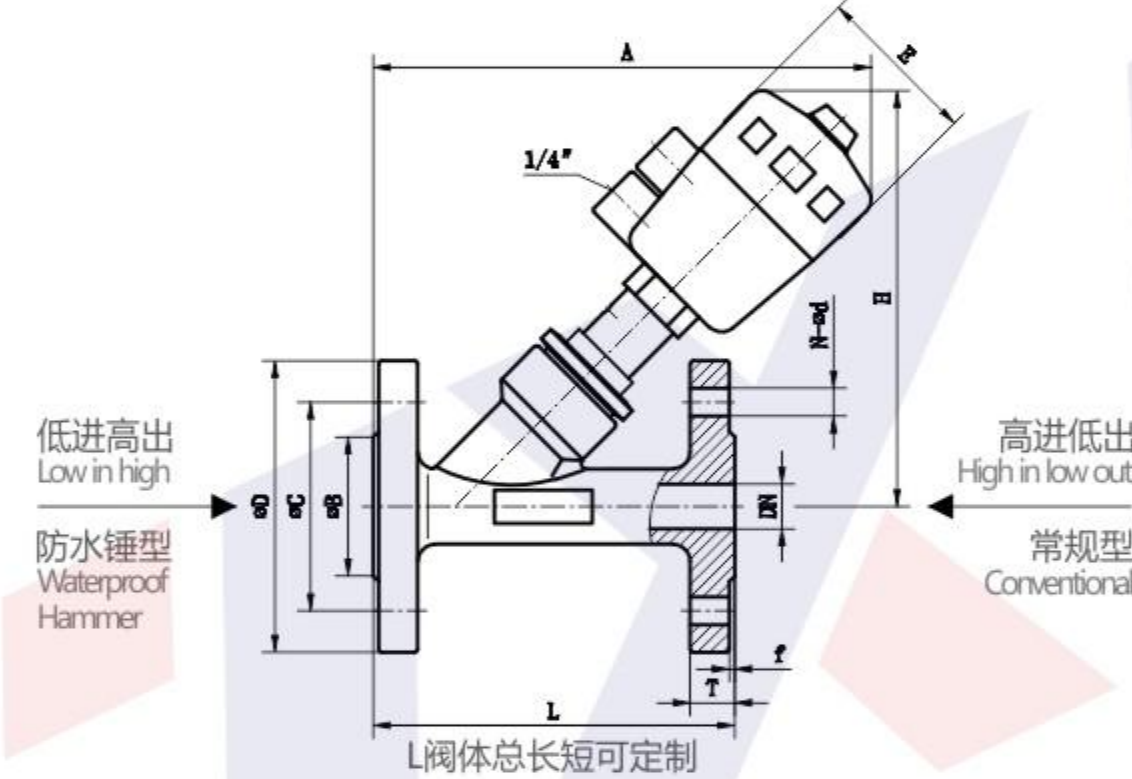


**技术参数**

介质温度: -20°C ~ +180°C  
环境温度: -20°C ~ +60°C  
公称压力: 1.6MPa  
控制气体: 中性气体, 空气  
气源压力: 0.3~0.8MPa  
规格: DN15-DN125  
阀体材质: CF8/CF8M  
阀座材质: PTFE  
阀杆材质: 304/316L  
密封圈材质: NBR

**Technical parameters**

Medium temperature: -20°C ~ +180°C  
Ambient temperature: -20°C ~ +60°C  
Nominal pressure: 1.6 MPa  
Control gas, gas, air  
Air pressure: 0.3 ~ 0.8 MPa  
Specification: DN15 - DN125  
The valve body material: CF8/CF8M  
seat material: PTFE  
Stem material: 304/316L  
Sealing ring material: NBR



法兰标准: HG5010-58/PN10/PN16, 可根据用户定制PN25,GB/T9113,HG20593,ISO,DIN,JIS等标准。  
Flange standard: HG5010-58 / PN10 / PN16, Can be customized according to user PN25, GB/T9113, HG20593, ISO, DIN, JIS and other standards.

型号 model	L	T	f	D	C	B	A	H	E	N-φd	执行器 Actuator	防水锤 Waterproof hammer
DN15	130	14	2	95	65	40	185	160	64	4-Φ14	Φ50	Φ50
DN20	130	14	2	105	75	50	185	160	64	4-Φ14	Φ50	Φ50
DN25	140	14	2	115	85	60	200/230	170/205	64/80	4-Φ14	Φ50/Φ63	Φ63
DN32	150	16	2	135	100	70	240	210	80	4-Φ18	Φ63	Φ80
DN40	180	16	2	145	110	80	250	215	80	4-Φ18	Φ63	Φ80
DN50	195	16	2	160	125	92	260/280	220/230	80/100	4-Φ18	Φ63/Φ80	Φ100
DN65	230	18	2	185	145	115	300	270	100	4-Φ18	Φ80	Φ100
DN80	250	18	2	195	160	130	360	310	126	8-Φ18	Φ100	Φ125
DN100	300	18	2	215	180	150	380	330	126	8-Φ18	Φ100	Φ125

**塑料头气动快装角座阀**  
Plastic head pneumatic quick-install angle seat valve

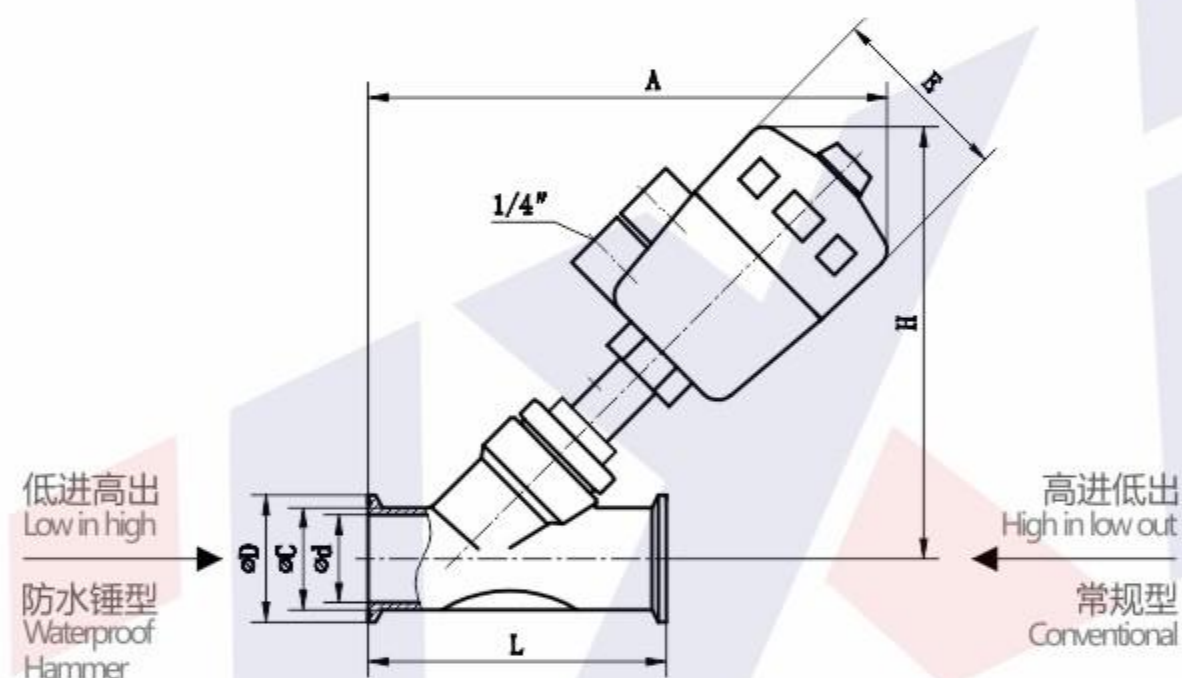


**技术参数**

介质温度: -20°C ~ +180°C  
环境温度: -20°C ~ +60°C  
公称压力: 1.6MPa  
控制气体: 中性气体, 空气  
气源压力: 0.3~0.8MPa  
规格: DN15-DN80  
阀体材质: CF8/CF8M  
阀座材质: PTFE  
阀杆材质: 304/316L  
密封圈材质: NBR

**Technical parameters**

Medium temperature: -20°C ~ +180°C  
Ambient temperature: -20°C ~ +60°C  
Nominal pressure: 1.6 MPa  
Control gas, gas, air  
Air pressure: 0.3 ~ 0.8 MPa  
Specification: DN15-DN80  
The valve body material: CF8/CF8M  
seat material: PTFE  
Stem material: 304/316L  
Sealing ring material: NBR



快装接头可根据用户要求订制。  
Quick connector can be customized according to user requirements

型号 model	L	d	C	D	A	H	E	执行器 Actuator	防水锤 Waterproof hammer
DN15 /φ19	130	16	20	50.5	180	160	64	φ50	φ50
DN20 /φ25	130	21	25	50.5	185	160	64	φ50	φ50
DN25 /φ32	140	26	31	50.5	200/230	170/205	64/80	φ50/φ63	φ63
DN32 /φ38	150	33	39	50.5	240	210	80	φ63	φ80
DN40 /φ45	180	41	46	64	250	215	80	φ63	φ80
DN40 /φ51	180	46	52	64	250	215	80	φ63	φ80
DN50 /φ57	195	50	55	64	260/280	220/230	80/100	φ63/φ80	φ100
DN50 /φ63	195	58	64	77.5	285	235	100	φ80	φ100
DN65 /φ76	230	70	77	91	320	270	100	φ80	φ100
DN80 /φ89	250	83	90	106	360	310	126	φ100	φ125

**塑料头气动焊接角座阀**  
Plastic head pneumatic welding angle seat valve

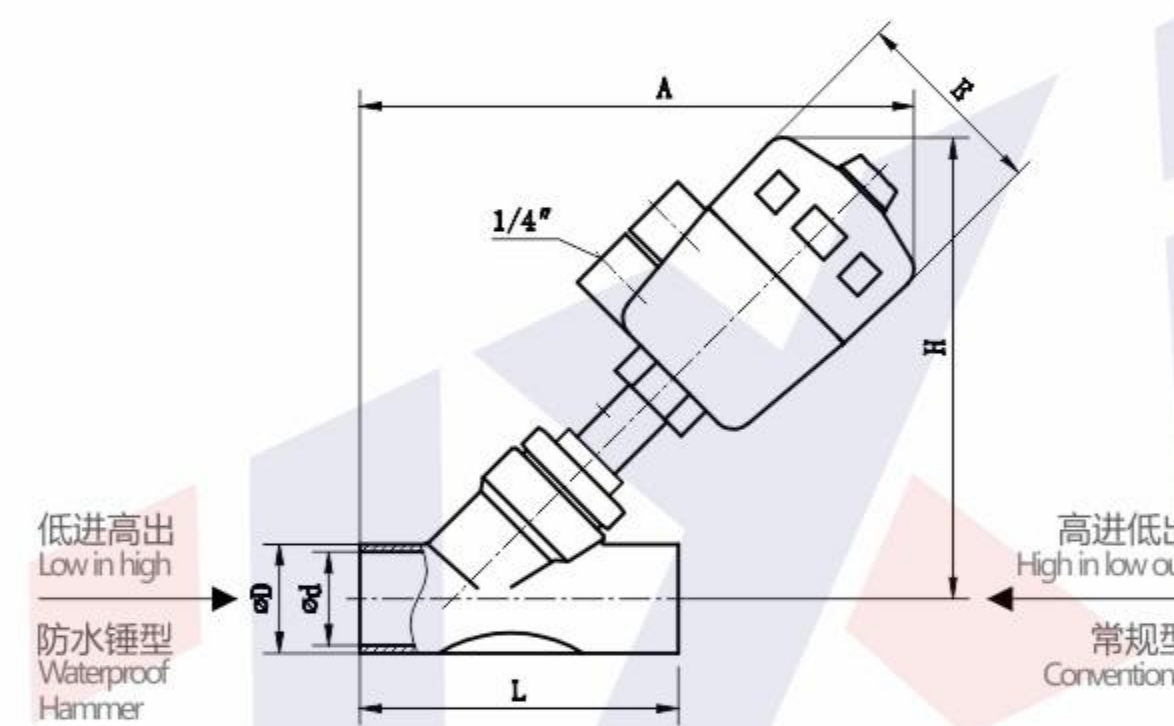


**技术参数**

介质温度: -20°C ~ +180°C  
环境温度: -20°C ~ +60°C  
公称压力: 1.6MPa  
控制气体: 中性气体, 空气  
气源压力: 0.3~0.8MPa  
规格: DN10-DN100  
阀体材质: CF8/CF8M  
阀座材质: PTFE  
阀杆材质: 304/316L  
密封圈材质: NBR

**Technical parameters**

Medium temperature: -20°C ~ +180°C  
Ambient temperature: -20°C ~ +60°C  
Nominal pressure: 1.6 MPa  
Control gas, gas, air  
Air pressure: 0.3 ~ 0.8 MPa  
Specification: DN10 - DN100  
The valve body material: CF8/CF8M  
seat material: PTFE  
Stem material: 304/316L  
Sealing ring material: NBR



焊接尺寸可根据用户要求定制: 外径, 内径, 阀体长度。  
Welding size can be customized according to user requirements: outer diameter, inner diameter, valve body length

型号 model	卫生管 Health tube	L	d	D	A	H	E	执行器 Actuator	防水锤 Waterproof hammer
DN10 /φ13	12.7	120	10	14	180	155	64	φ50	φ50
DN15 /φ19	19.05	130	15	20	185	160	64	φ50	φ50
DN20 /φ25	25.4	130	20	26	185	160	64	φ50	φ50
DN25 /φ32	31.8	140	26	33	200/230	170/275	64/80	φ50/φ63	φ63
DN32 /φ38	38.1	150	33	39	240	210	80	φ63	φ80
DN40 /φ45	45	180	40	47	250	215	80	φ63	φ80
DN40 /φ51	50.8	180	46	52	250	215	80	φ63	φ80
DN50 /φ57	57	195	50	58	260/280	220/230	80/100	φ63/φ80	φ100
DN50 /φ63	63.5	195	58	64	285	235	100	φ80	φ100
DN65 /φ76	76.1	230	68	78	320	270	100	φ80	φ100
DN80 /φ89	88.9	250	83	92	360	310	126	φ100	φ125
DN100/φ108	108	300	101	112	380	330	126	φ100	φ125

**全不锈钢气动螺纹角座阀**  
All stainless steel pneumatic thread angle seat valve

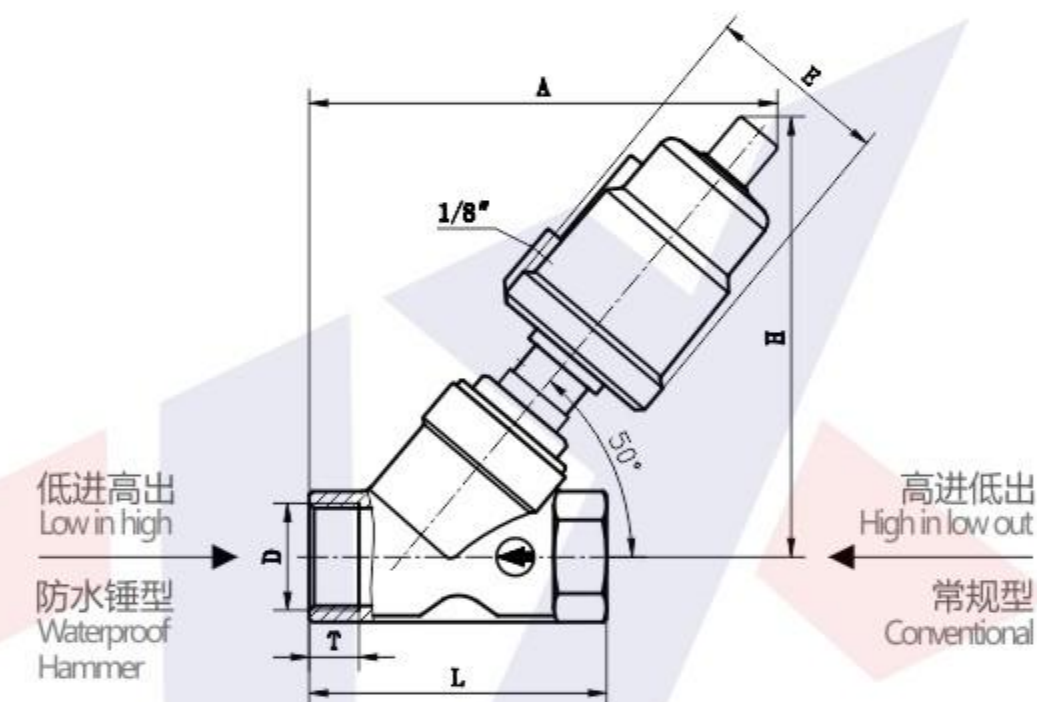


**技术参数**

介质温度: -20°C ~ +180°C  
环境温度: -20°C ~ +60°C  
公称压力: 1.6MPa  
控制气体: 中性气体, 空气  
气源压力: 0.3~0.8MPa  
规格: DN15-DN100  
阀体材质: CF8/CF8M  
阀座材质: PTFE  
阀杆材质: 304/316L  
密封圈材质: NBR

**Technical parameters**

Medium temperature: -20°C ~ +180°C  
Ambient temperature: -20°C ~ +60°C  
Nominal pressure: 1.6 MPa  
Control gas, gas, air  
Air pressure: 0.3 ~ 0.8 MPa  
Specification: DN15 - DN100  
The valve body material: CF8/CF8M  
seat material: PTFE  
Stem material: 304/316L  
Sealing ring material: NBR



螺纹标准: 英制圆锥管BSPT, 可根据用户要求定制BSP,NPT等标准。  
Thread standard: British conical tube BSPT, BSP, NPT and other standards can be customized according to user requirements.

型号 model	L	T	A	H	D	E	执行器 Actuator	防水锤 Waterproof hammer
DN15	68	11	135	135	1/2"	62	Φ50	Φ50
DN20	75	14	140	140	3/4"	62	Φ50	Φ50
DN25	90	15	145	145	1"	62	Φ50	Φ63
DN32	115	17.5	195	180	1 1/4"	76	Φ63	Φ80
DN40	115	17.5	195	180	1 1/2"	76	Φ63	Φ80
DN50	135	20	215	200	2"	76	Φ63	Φ100
DN65	185	30	285	250	2 1/2"	96	Φ80	Φ100
DN80	210	33	370	310	3"	114	Φ100	Φ100
DN100	235	33	420	395	4"	114	Φ100	Φ150

**全不锈钢气动法兰角座阀**  
All stainless steel pneumatic flange angle seat valve

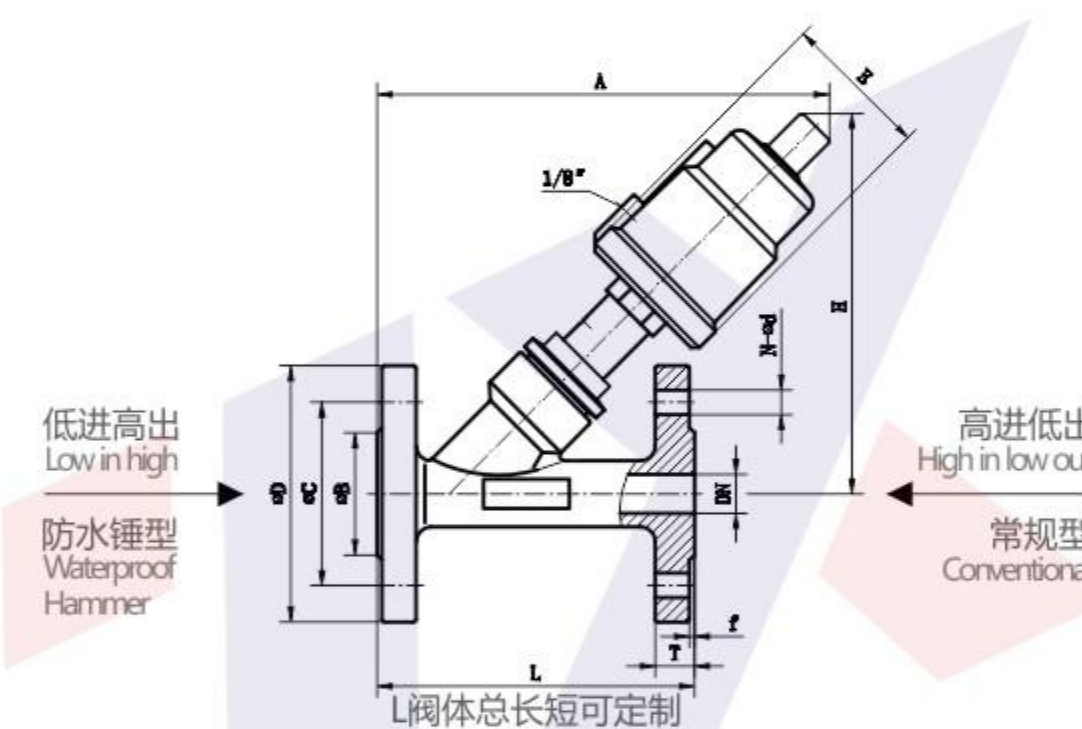


**技术参数**

介质温度: -20°C ~ +180°C  
环境温度: -20°C ~ +60°C  
公称压力: 1.6MPa  
控制气体: 中性气体, 空气  
气源压力: 0.3~0.8MPa  
规格: DN15-DN100  
阀体材质: CF8/CF8M  
阀座材质: PTFE  
阀杆材质: 304/316L  
密封圈材质: NBR

**Technical parameters**

Medium temperature: -20°C ~ +180°C  
Ambient temperature: -20°C ~ +60°C  
Nominal pressure: 1.6 MPa  
Control gas, gas, air  
Air pressure: 0.3 ~ 0.8 MPa  
Specification: DN15 - DN100  
The valve body material: CF8/CF8M  
seat material: PTFE  
Stem material: 304/316L  
Sealing ring material: NBR



法兰标准: HG5010-58/PN10/PN16, 可根据用户定制PN25,GB/T9113,HG20593,ISO,DIN,JIS等标准。  
Flange standard: HG5010-58 / PN10 / PN16, can be customized according to user PN25, GB / T9113, HG20593, ISO, DIN, JIS and other standards.

型号 model	L	T	f	D	C	B	A	H	E	N-Φd	执行器 Actuator	防水锤 Waterproof hammer
DN15	130	14	2	95	65	40	185	155	62	4-Φ14	Φ50	Φ50
DN20	130	14	2	105	75	50	185	155	62	4-Φ14	Φ50	Φ50
DN25	140	14	2	115	85	60	210	165	62	4-Φ14	Φ50	Φ63
DN32	150	16	2	135	100	70	225	195	76	4-Φ18	Φ63	Φ80
DN40	180	16	2	145	110	80	240	205	76	4-Φ18	Φ63	Φ80
DN50	195	16	2	160	125	92	265	230	76	4-Φ18	Φ63	Φ100
DN65	230	18	2	185	145	115	290	265	96	4-Φ18	Φ80	Φ100
DN80	250	18	2	195	160	130	330	300	114	8-Φ18	Φ100	Φ100
DN100	300	18	2	215	180	150	350	320	114	8-Φ18	Φ100	Φ150

**全不锈钢气动快装角座阀**  
All stainless steel pneumatic quick-install angle seat valve

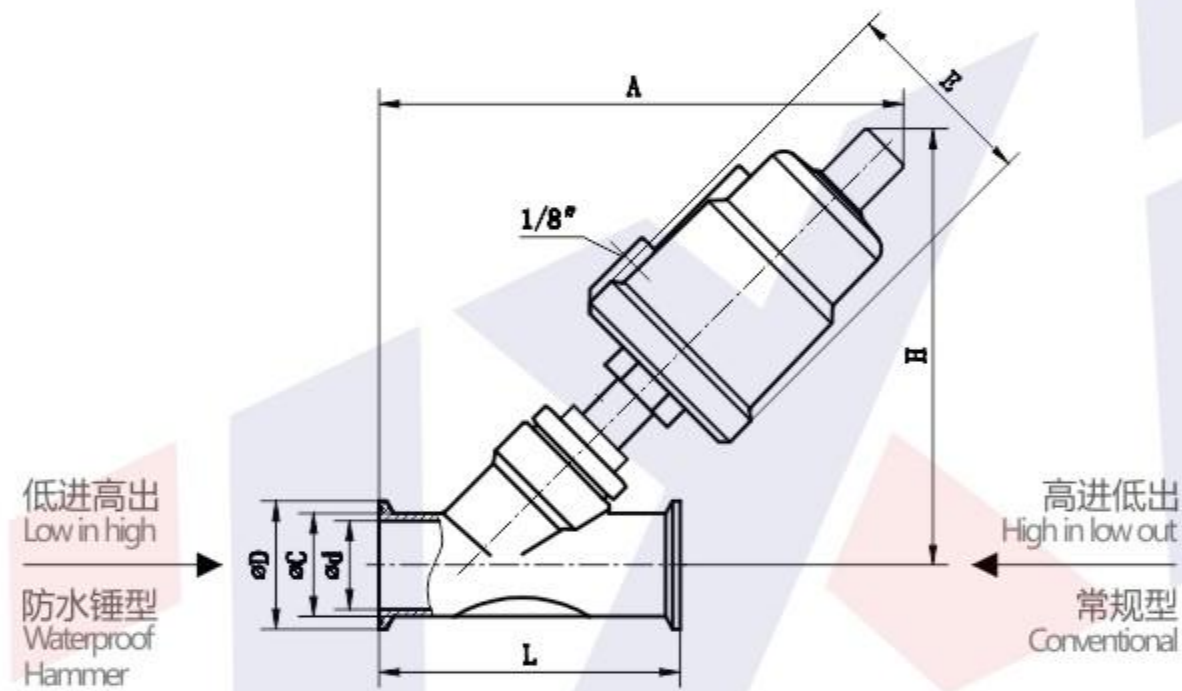


**技术参数**

介质温度: -20°C ~ +180°C  
 环境温度: -20°C ~ +60°C  
 公称压力: 1.6MPa  
 控制气体: 中性气体, 空气  
 气源压力: 0.3~0.8MPa  
 规格: DN15-DN80  
 阀体材质: CF8/CF8M  
 阀座材质: PTFE  
 阀杆材质: 304/316L  
 密封圈材质: NBR

**Technical parameters**

Medium temperature: -20°C ~ +180°C  
 Ambient temperature: -20°C ~ +60°C  
 Nominal pressure: 1.6 MPa  
 Control gas, gas, air  
 Air pressure: 0.3 ~ 0.8 MPa  
 Specification: DN15-DN80  
 The valve body material: CF8/CF8M  
 seat material: PTFE  
 Stem material: 304/316L  
 Sealing ring material: NBR



快装接头可根据用户要求定制。  
Quick connector can be customized according to user requirements.

型号 model	L	d	C	D	A	H	E	执行器 Actuator	防水锤 Waterproof hammer
DN15 /Φ19	130	16	20	50.5	180	160	62	Φ50	Φ50
DN20 /Φ25	130	21	25	50.5	185	160	62	Φ50	Φ50
DN25 /Φ32	140	26	31	50.5	200/230	170/205	62	Φ50/Φ63	Φ63
DN32 /Φ38	150	33	39	50.5	240	210	76	Φ63	Φ80
DN40 /Φ45	180	41	46	64	250	215	76	Φ63	Φ80
DN40 /Φ51	180	46	52	64	250	215	76	Φ63	Φ80
DN50 /Φ57	195	50	55	64	260/280	220/230	76	Φ63/Φ80	Φ100
DN50 /Φ63	195	58	64	77.5	285	235	96	Φ80	Φ100
DN65 /Φ76	230	70	77	91	320	270	96	Φ80	Φ100
DN80 /Φ89	250	83	90	106	360	310	96	Φ100	Φ125

**全不锈钢气动焊接角座阀**  
All stainless steel pneumatic welding angle seat valve

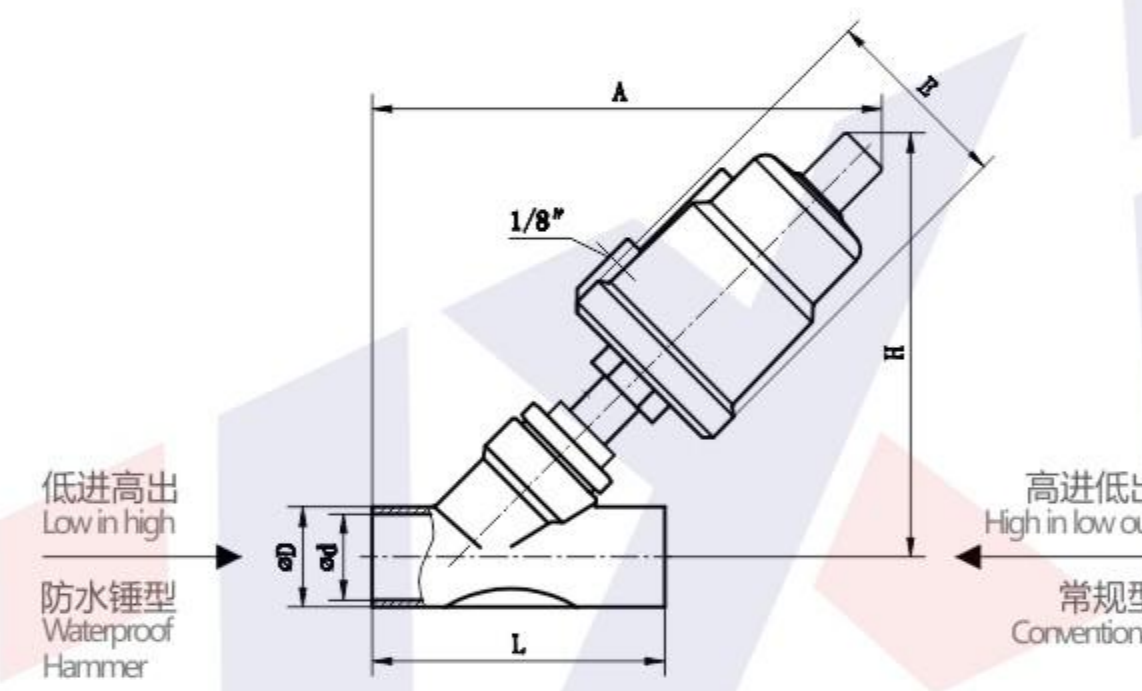


**技术参数**

介质温度: -20°C ~ +180°C  
 环境温度: -20°C ~ +60°C  
 公称压力: 1.6MPa  
 控制气体: 中性气体, 空气  
 气源压力: 0.3~0.8MPa  
 规格: DN15-DN100  
 阀体材质: CF8/CF8M  
 阀座材质: PTFE  
 阀杆材质: 304/316L  
 密封圈材质: NBR

**Technical parameters**

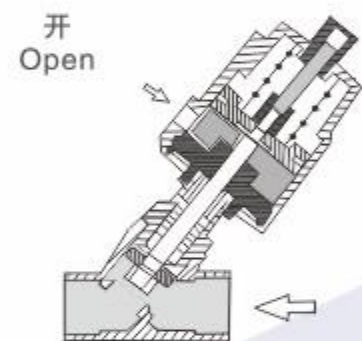
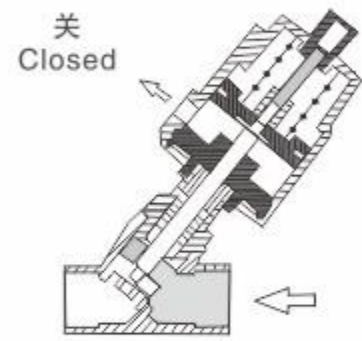
Medium temperature: -20°C ~ +180°C  
 Ambient temperature: -20°C ~ +60°C  
 Nominal pressure: 1.6 MPa  
 Control gas, gas, air  
 Air pressure: 0.3 ~ 0.8 MPa  
 Specification: DN15 - DN100  
 The valve body material: CF8/CF8M  
 seat material: PTFE  
 Stem material: 304/316L  
 Sealing ring material: NBR



焊接尺寸可根据用户要求定制: 外径, 内径, 阀体长度。  
Welding size can be customized according to user requirements: outer diameter, inner diameter, valve body length.

型号 model	卫生管 Health tube	L	d	D	A	H	E	执行器 Actuator	防水锤 Waterproof hammer
DN10 /Φ13	12.7	120	10	14	180	155	62	Φ50	Φ50
DN15 /Φ19	19.05	130	15	20	185	160	62	Φ50	Φ50
DN20 /Φ25	25.4	130	20	26	185	160	62	Φ50	Φ50
DN25 /Φ32	31.8	140	26	33	200/230	170/275	62	Φ50/Φ63	Φ63
DN32 /Φ38	38.1	150	33	39	240	210	76	Φ63	Φ80
DN40 /Φ45	45	180	40	47	250	215	76	Φ63	Φ80
DN40 /Φ51	50.8	180	46	52	250	215	76	Φ63	Φ80
DN50 /Φ57	57	195	50	58	260/280	220/230	76	Φ63/Φ80	Φ100
DN50 /Φ63	63.5	195	58	64	285	235	96	Φ80	Φ100
DN65 /Φ76	76.1	230	68	78	320	270	96	Φ80	Φ100
DN80 /Φ89	88.9	250	83	92	360	310	114	Φ100	Φ125
DN100/Φ108	108	300	101	112	380	330	114	Φ100	Φ125

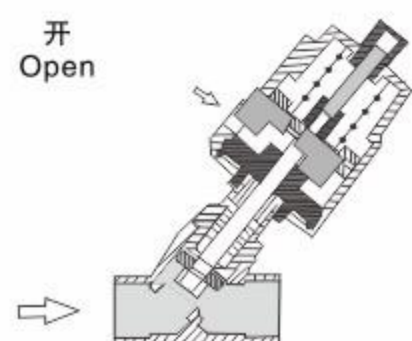
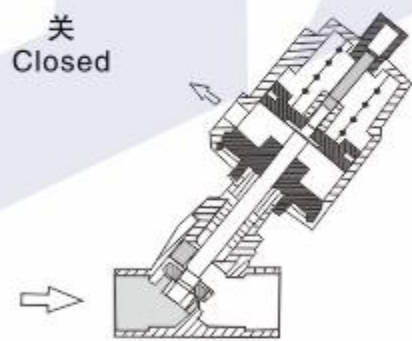
单作用常闭型 (高进低出常规型)  
Single-acting normally closed type  
(High-in, low-out conventional type)



适用于可压缩性介质, 例如气体, 水蒸汽等; 以及压力较低的液体介质。  
Suitable for compressible medium, such as air, steam and low pressure liquid medium.

规格Size	接口Thread	内孔Orifice (mm)	流量值Kv(m <sup>3</sup> /h)	执行器Actuator (mm)	压差范围ΔP(MPa)	控制压力Control pressure (Mpa)
DN10	G3/8"	13	3.8	50	0-1.6	0.4-0.7
DN15	G1/2"	13	4.7	50	0-1.6	0.4-0.7
DN20	G3/4"	18	9.5	50	0-1.6	0.4-0.7
DN25	G1"	24	18.1	50	0-1.6	0.4-0.7
				63	0-1.6	0.4-0.7
DN32	G1 1/4"	32	23.1	63	0-1.6	0.4-0.7
				80	0-1.6	0.4-0.7
DN40	G1 1/2"	35	32.9	63	0-1.6	0.4-0.7
				80	0-1.6	0.4-0.7
DN50	G2"	45	52.8	63	0-1.2	0.4-0.7
				80	0-1.6	0.4-0.7
DN65	G2 1/2"	60	90	80	0-1.2	0.4-0.7
				100	0-1.6	0.4-0.7

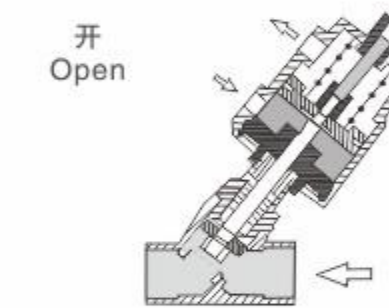
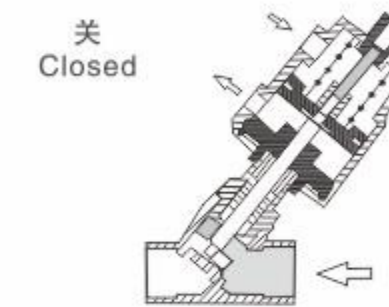
单作用常闭型 (低进高出防水锤型)  
Single-acting normally closed type  
(Low-in high-out waterproof hammer type)



适用于防水锤管道, 可承受一定压差。  
Flow come from below seat, avoid water hammer

规格Size	接口Thread	内孔Orifice (mm)	流量值Kv(m <sup>3</sup> /h)	执行器Actuator (mm)	压差范围ΔP(MPa)	控制压力Control pressure (Mpa)
DN10	G3/8"	13	3.8	50	0-1.4	0.6-0.8
DN15	G1/2"	13	4.7	50	0-1.1	0.6-0.8
DN20	G3/4"	18	9.5	50	0-1.1	0.6-0.8
DN25	G1"	24	18.1	50	0-1.4	0.6-0.8
				63	0-1.4	0.6-0.8
DN32	G1 1/4"	32	23.1	80	0-1.6	0.6-0.8
				63	0-0.6	0.6-0.8
DN40	G1 1/2"	35	32.9	80	0-1.6	0.6-0.8
				63	0-0.5	0.6-0.8
DN50	G2"	45	52.8	80	0-1.6	0.6-0.8
				100	0-1.0	0.6-0.8
DN65	G2 1/2"	60	90	80	0-1.2	0.6-0.8
				100	0-1.6	0.6-0.8

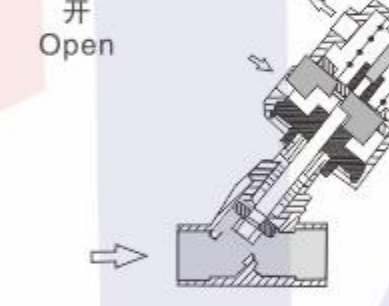
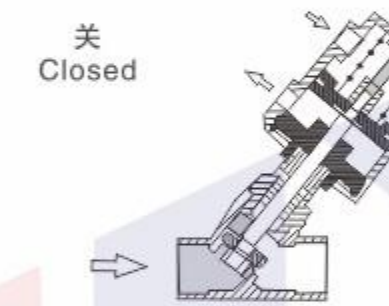
双作用 (高进低出常规型)  
Double acting (High-in, low-out conventional type)



性能可靠, 可承受较大压差; 如果紧急情况, 阀门可自动关闭。  
Suitable for higher reliable performance, differential pressure ΔP; Valve could be closed if there is emergency.

规格Size	接口Thread	内孔Orifice (mm)	流量值Kv(m <sup>3</sup> /h)	执行器Actuator (mm)	压差范围ΔP(MPa)	控制压力Control pressure (Mpa)
DN10	G3/8"	13	3.8	50	0-1.6	0.4-0.7
				50	0-1.6	0.4-0.7
DN15	G1/2"	13	4.7	50	0-1.6	0.4-0.7
				50	0-1.6	0.4-0.7
DN20	G3/4"	18	9.5	50	0-1.6	0.4-0.7
				50	0-1.6	0.4-0.7
DN25	G1"	24	18.1	50	0-1.6	0.4-0.7
				63	0-1.6	0.4-0.7
DN32	G1 1/4"	32	23.1	63	0-1.6	0.4-0.7
				80	0-0.6	0.4-0.7
DN40	G1 1/2"	35	32.9	63	0-1.6	0.4-0.7
				80	0-1.6	0.4-0.7
DN50	G2"	45	52.8	63	0-1.2	0.4-0.7
				80	0-1.6	0.4-0.7
DN65	G2 1/2"	60	90	80	0-1.2	0.4-0.7
				100	0-1.6	0.4-0.7

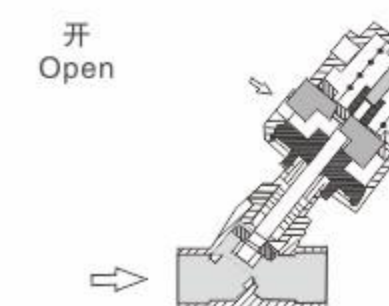
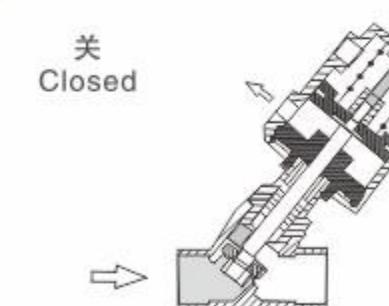
双作用常闭型 (低进高出防水锤型)  
Double acting normally closed type  
(Low entry high exit waterproof hammer type)



适用要求高的防水锤管道, 可承受较大压差。  
Flow come from below seat, avoid water hammer, suitable for higher ΔP.

规格Size	接口Thread	内孔Orifice (mm)	流量值Kv(m <sup>3</sup> /h)	执行器Actuator (mm)	压差范围ΔP(MPa)	控制压力Control pressure (Mpa)
DN10	G3/8"	13	3.8	50	0-1.6	0.6-0.8
				50	0-1.6	0.6-0.8
DN15	G1/2"	13	4.7	50	0-1.6	0.6-0.8
				50	0-1.6	0.6-0.8
DN20	G3/4"	18	9.5	50	0-1.6	0.6-0.8
				50	0-1.6	0.6-0.8
DN25	G1"	24	18.1	50	0-1.6	0.6-0.8
				63	0-1.6	0.6-0.8
DN32	G1 1/4"	32	23.1	63	0-1.6	0.6-0.8
				80	0-0.6	0.6-0.8
DN40	G1 1/2"	35	32.9	80	0-1.6	0.6-0.8
				100	0-1.6	0.6-0.8
DN50	G2"	45	52.8	80	0-0.8	0.6-0.8
				100	0-1.6	0.6-0.8
DN65	G2 1/2"	60	90	80	0-1.2	0.6-0.8
				100	0-1.6	0.6-0.8

单作用常开型 (低进高出防水锤型)  
Single-acting normally open type  
(Low-in high-out waterproof hammer type)



适用要求高的防水锤管道, 可承受较大压差。  
Flow come from below seat, avoid water hammer, suitable for higher ΔP.

规格Size	接口Thread	内孔Orifice (mm)	流量值Kv(m <sup>3</sup> /h)	执行器Actuator (mm)	压差范围ΔP(MPa)	控制压力Control pressure (Mpa)
DN10	G3/8"	13	3.8	50	0-1.6	0.6-0.8
				50	0-1.6	0.6-0.8
DN15	G1/2"	13	4.7	50	0-1.6	0.6-0.8
				50	0-1.6	0.6-0.8
DN20	G3/4"	18	9.5	50	0-1.6	0.6-0.8
				50	0-1.6	0.6-0.8
DN25	G1"	24	18.1	50	0-1.6	0.6-0.8
				63	0-1.6	0.6-0.8
DN32	G1 1/4"	32	23.1	63	0-1.6	0.6-0.8
				80	0-0.6	0.6-0.8
DN40	G1 1/2"	35	32.9	80	0-1.6	0.6-0.8
				100	0-1.6	0.6-0.8
DN50	G2"	45	52.8	80	0-0.8	0.6-0.8
				100	0-1.6	0.6-0.8
DN65	G2 1/2"	60	90	80	0-1.2	0.6-0.8
				100	0-1.6	0.6-0.8

## 气动角座阀可分为四种形态

### PNEUMATIC ANGLE SEAT VALVE CAN BE DIVIDED INTO FOUR FORMS

#### 第一种：单作用常闭型

工作原理：  
根据弹簧复位达到阀门关闭的作用，工作时只需安装一根气管，通气阀门打开，失气阀门自动关闭。在常压常温的情况下方便安装使用。

#### First: single-acting normally closed type

Working principle:  
According to the spring return to achieve the function of closing the valve, only one air pipe needs to be installed during work, the vent valve is opened, and the lost gas valve is automatically closed. It is easy to install and use under normal pressure and normal temperature.

#### 第二种：单作用常开型

工作原理：  
根据通气关闭阀门，工作时只需安装一根气管，通气阀门关闭，失气阀门自动打开，在高温高压的情况，需要长期打开阀门的情况下可选用。

#### Second: single acting normally open type

Working principle:  
According to the ventilation, the valve is closed. Only one air pipe is required to be installed during operation. The ventilation valve is closed and the lost gas valve is automatically opened. It can be used in the case of high temperature and high pressure and the need to open the valve for a long time.

#### 第三种：双作用带弹簧关闭型 (推荐)

工作原理：  
根据通气控制阀门开关，工作时需安装两根气管，遇紧急情况（列停电）阀门可自动关闭，用户还可与根据使用情况来自由安装阀门方向，（在恶劣条件下介质高温，高压，气缸压力小，防水锤等安装使用）控制更精确，更稳定。

#### Third: double acting with spring closing type (Recommend)

Working principle:  
According to the ventilation control valve switch, two air pipes need to be installed during operation. In case of emergency (power outage), the valve can be automatically closed. The user can also freely install the valve according to the use situation. High pressure, low cylinder pressure, installation and use of waterproof hammer, etc.) control is more accurate and more stable.

#### 第四种：双作用（自由态）

工作原理：  
根据通气控制阀门开关，工作时需安装两根气管，在控制执行器压力较低的情况下使用，用户可根据使用情况打开阀门后属于常开状态。在低压低温的情况下使用双作用自由态可延长阀门寿命。

#### Fourth: Double acting (free state)

Working principle:  
According to the ventilation control valve switch, two air pipes need to be installed during operation, and it is used when the pressure of the control actuator is low. The user can open the valve according to the use situation and belong to the normally open state. The double-acting free state can prolong the life of the valve under the condition of low pressure and low temperature.

## 气动角座阀、常规、执行器 大小头选型

### PNEUMATIC ANGLE SEAT VALVE, CONVENTIONAL, ACTUATOR SIZE HEAD SELECTION

大小头实物对比图  
Comparison of size and size



#### 例： DN50单作用常规配63的执行器

常闭型执行器最低控制压力为0.4Mpa，在介质压力高于控制压力，控制压力且只有0.4Mpa的情况下阀门有打不开的现象，这种情况选用大头，加大执行器到80，以及100，常开型在防水锤安装下，介质压力高于执行器控制压力，需要采用大头，加大执行器。具体非常规安装联系我们根据实际管道介质压力、温度以及压力控制选型。

根据用户要求可配备附件：电磁阀，限位开关，减压阀过滤器，接近开关，信号反馈，定位器等，所有规格，均可根据用户使用定制，必要时可派专业人士，现场设计以及安装。

角座阀保持流速能够节省空间，采用弹簧安全保护的单作用执行器机构来操作的导向角座阀，可广泛应用于短时间频繁启动，具有反应灵敏，动作准确的特点，配合电磁阀使用，用气动控制可准确控制气体，液体流量，可实现准确控温，滴加液体等要求，温热灭菌应用角座阀控制汽量准确控温。

#### Example: DN50 single-acting conventional actuator with 63

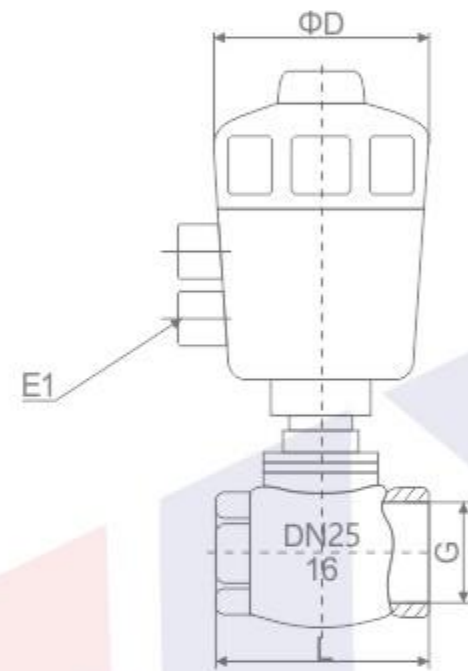
The minimum control pressure of the normally closed actuator is 0.4Mpa. When the medium pressure is higher than the control pressure and the control pressure is only 0.4 Mpa, the valve will not open. In this case, use a large head and increase the actuator to 80. And 100, normally open type, under the installation of the waterproof hammer, the medium pressure is higher than the control pressure of the actuator, you need to use a large head to increase the actuator. For specific unconventional installation, contact us to select the model according to the actual pipeline medium pressure, temperature and pressure control.

According to user requirements can be equipped with accessories: solenoid valve, limit switch, pressure reducing valve filter, proximity switch, signal feedback, positioner, etc., all specifications can be customized according to user use, if necessary, can send professionals, site design and installation.

The angle seat valve maintains the flow rate and saves space. The pilot angle seat valve operated by a spring-actuated single-acting actuator mechanism can be widely used in short-time and frequent start-up. Pneumatic control can accurately control the flow of gas and liquid, and can achieve accurate temperature control, drop liquid addition and other requirements. Warm sterilization uses angle seat valve to control steam volume to accurately control temperature.

## T型气动螺纹截止阀

### T-type pneumatic thread globe valve



腰鼓形切断阀DN50-100  
Waist drum cut-off valve DN50-100

#### 特点

- 1、结构紧凑、重量轻、流量大、成本低;
  - 2、使用寿命是薄膜型切断阀的10倍;
  - 3、气管接口可360°旋转、阀头可拆卸;
  - 4、免维护密封(进口密封圈)
- 控制功能: (双向或单向)可选类型: 常开型、常闭型  
控制压力: 0.2-0.5MPa  
介质温度: -10°C~220°C  
环境温度: -10°C~80°C  
体制气体: 中性气体、空气

#### 适用范围

可替代薄膜型切断阀、气体、干燥设备、石油化工、水处理、染整、泡塑机械等。

#### Features

1. Compact structure, light weight, large flow, low cost;
  2. The service life is 10 times that of the membrane type cut-off valve;
  3. The trachea interface can be rotated 360° and the valve head can be removed
  4. Maintenance-free seal (imported sealing ring)
- Control function: (bidirectional or unidirectional)  
Optional types: normally open, normally closed  
Control pressure: 0.2-0.5MPa  
Medium temperature: -10 °C ~ 220 °C  
Ambient temperature: -10 °C ~ 80 °C  
Institutional gas: neutral gas, air

#### Scope of application

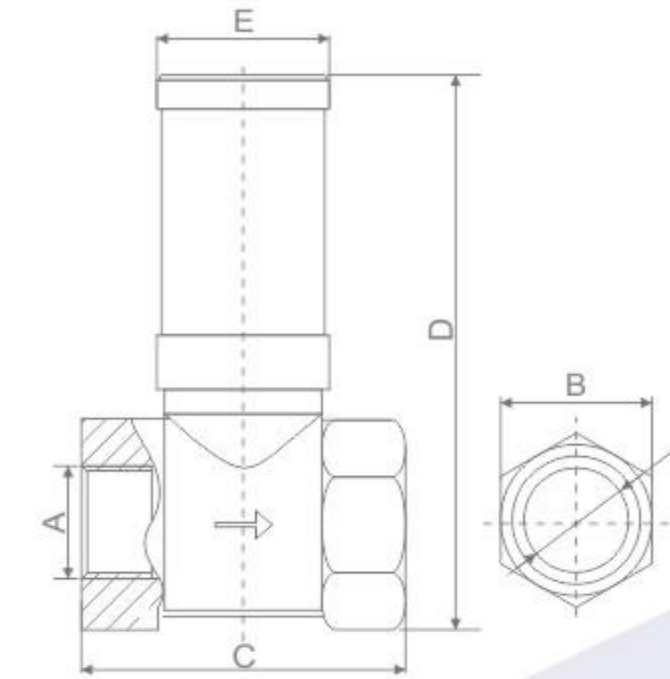
It can replace film-type cut-off valves, gas, drying equipment, petrochemical industry, water treatment, dyeing and finishing, foam molding machinery, etc.

主要外形连接尺寸  
Main external dimensions

丝扣式内孔 Threaded inner bore DN	执行机构尺寸 Actuator size ΦD(mm)	阀体长度 Body length L(mm)	Kv值 value (m³/h)	最高温度下管道压力 Pipe pressure at highest temperature	先导压力 Pilot pressure	控制压力 Control pressure	流向 Flow
DN15	Φ50	54	3.9	180°≤16bar	3	2.5-5	阀座下方 Underseat
DN20	Φ50	63	7.5	180°≤16bar	3	2.5-5	阀座下方 Underseat
DN25	Φ50	75	17	180°≤16bar	3	2.5-5	阀座下方 Underseat
DN32	Φ63	85	25	180°≤16bar	3.5	2.5-5	阀座下方 Underseat
DN40	Φ63	99	40	180°≤16bar	3.5	2.5-5	阀座下方 Underseat
DN50	Φ63	114	50	180°≤16bar	4	2.5-5	阀座下方 Underseat
DN65	Φ80	129	65	180°≤16bar	4	2.5-5	阀座下方 Underseat
DN80	Φ100	200	110	180°≤16bar	4	2.5-5	阀座下方 Underseat
DN100	Φ100	230	135	180°≤16bar	4	2.5-5	阀座下方 Underseat

## 全不锈钢气动切断阀

### All stainless steel pneumatic shut-off valve



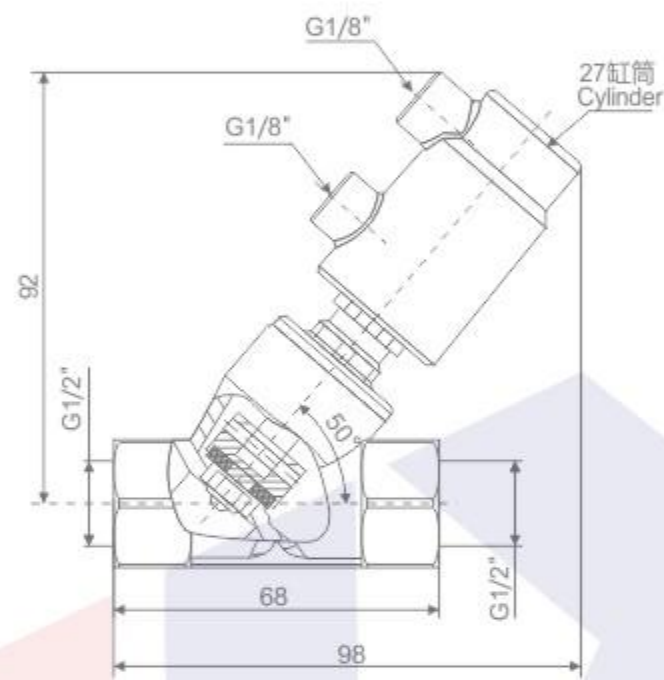
技术参数 Technical Data

阀体/执行器材质 Body / actuator material	阀体、连接件和执行器为不锈钢材质 The valve body, connectors and actuators are made of stainless steel						
运动方式 Movement way	活塞直动式, Piston direct acting						
介质 Medium	空气, 水, 油, 蒸气, 以及任何中性气体 Air, water, oil, steam, and any neutral gas						
接管口径 Pipe diameter	G1/2"	G3/4"	G1"	G1-1/4"	G1-1/2"	G2"	G2-1/2"
通径 Size	13	16	22	32	35	45	55
Kv (m³/h)	4	5	10	20	25	40	50
使用压力范围MPa Use pressure range MPa	0~0.8	0~0.8	0~0.8	0~0.8	0~0.8	0~0.8	0~0.8
最小控制压力MPa Minimum control pressure MPa	0.30	0.30	0.32	0.30	0.35	0.32	0.35
媒介温度 The medium temperature	NBR (-10~80°C)			EPDM, VITON (-10~150°C)			

主要外形连接尺寸  
Main external dimensions

接管口径 Pipe diameter	DN (mm)	执行器尺寸 Actuator size (mm)	A	B	C	D	E
1/2"	DN15	25	G1/2"	27	55	108	32
3/4"	DN20	32	G3/4"	33	65	112	32
1"	DN25	32	G1"	42	75	136	38
1-1/4"	DN32	40	G1-1/4"	49	85	156	55
1-1/2"	DN40	50	G1-1/2"	57	99	167	55
2"	DN50	63	G2"	68	115	192	68
2-1/2"	DN65	80	G2-1/2"	87	129	235	80

GZFA-16P



DN15灌装阀-A  
DN15 Filling valve-A

#### 特点

本阀门采用精致型设计，各部件均采用不锈钢制造，外观精美，部件轻巧，结构紧凑，阀芯部位采用活动式结构，可自行校正，密封性能优良。

#### 技术参数

控制形式：双作用常闭型，双作用自由态  
 双作用常闭型：管道压力0-0.7MPa  
 控制压力0.38-0.42MPa  
 双作用自由态：管道压力0-0.7MPa  
 控制压力0.3-0.35MPa  
 控制介质：经过滤的压缩空气  
 阀体材质：CF8或CF8M  
 密封材料：PTFE  
 介质温度：-10°C~+120°C  
 连接形式：螺纹式

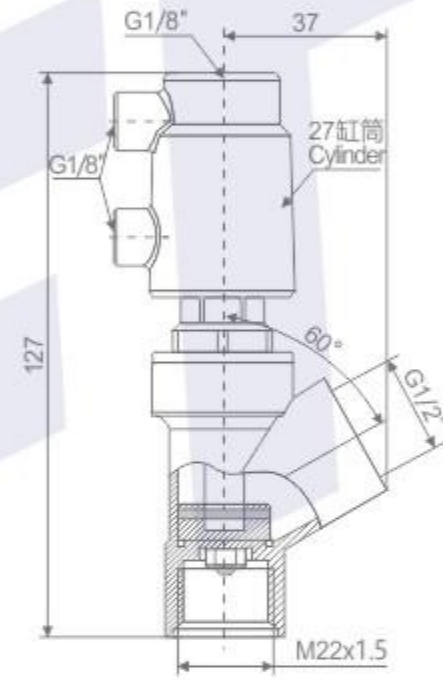
#### Advantages

The valve adopts exquisite design, all parts are made of stainless steel, the appearance is exquisite, the parts are light, the structure is compact, the valve core part adopts the movable structure, which can be corrected by itself, and the sealing performance is excellent.

#### Technical Parameters

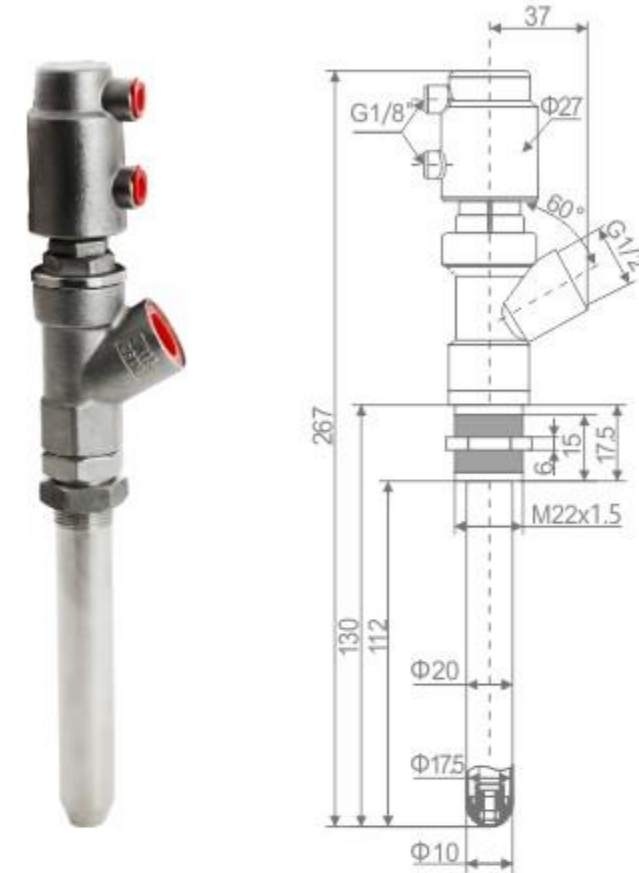
Control form: double acting normally closed type, double acting free state  
 Double acting normally closed type: pipeline pressure 0-0.7MPa,  
 control pressure 0.38-0.42MPa  
 Double acting free state: pipeline pressure 0-0.7MPa,  
 control pressure 0.3-0.35MPa  
 Control medium: filtered compressed air  
 Body material: CF8 or CF8M  
 Sealing material: PTFE  
 Medium temperature: -10°C ~ +120°C  
 Connection form: threaded

GZFB-16P



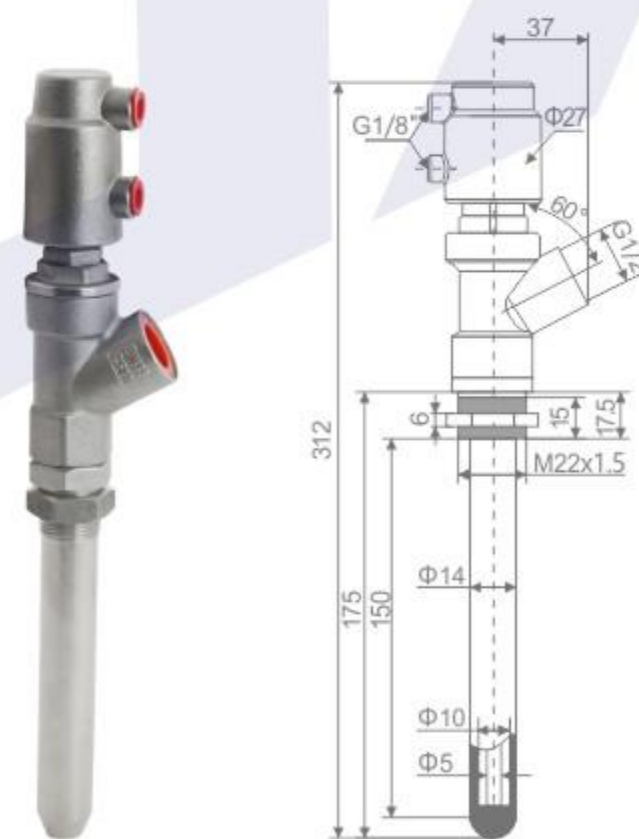
DN15立式灌装阀-B  
DN15 vertical filling valve-B

GZFC-16P



DN15加长型灌装阀-C  
DN15 extended filling valve-C

GZFD-16P



DN15加长型灌装阀-D  
DN15 extended filling valve-D

#### 特点

广泛应用于灌装机械，尤其适用于粘稠、膏状及容易起泡沫的液体灌装；灌装速度快，精准稳定；精致小巧，便于排管布局；灌装头底部特殊的密封设计，可以实现灌装无滴漏；灌装头底部倒角结构，具有导向定位作用，可下潜灌装。

#### 技术参数

双作用常闭型：  
 管道压力：0-0.7MPa  
 控制压力：0.38-0.42MPa  
 双作用自由态：  
 管道压力：0-0.7MPa  
 控制压力：0.3-0.35MPa

阀体材质：CF8或CF8M  
 密封材料：PTFE  
 介质温度：-10°C~+120°C

#### Advantages

Widely used in filling machine commandments, Especially suitable for the filling of viscous, pasty and foamy liquids; Fast filling speed, accurate and stable; Exquisite and compact, easy to arrange the tube; Special sealing design at the bottom of the filling head, Can achieve filling without dripping; Chamfer structure at the bottom of the filling head, With guiding and positioning effect, it can be submerged in filling.

#### Technical Parameters

Double acting normally closed type:  
 Pipeline pressure: 0-0.7MPa  
 Control pressure: 0.38-0.42MPa  
 Double acting free state:  
 Pipeline pressure: 0-0.7MPa  
 Control pressure: 0.3-0.35MPa

Body material: CF8 or CF8M  
 Sealing material: PTFE  
 Medium temperature: -10°C ~ +120°C



- 不锈钢外壳设计 • Stainless steel shell design
- 电气防水接头 • Electric waterproof joint
- 带背光液晶显示屏 • With backlit LCD screen
- 快速简易启动 • Quick and easy start
- 丰富的附加功能 • Rich additional functionality



概述 An overview of the

1600系列智能电气阀门定位器是专为一体式气动调节阀所设计的，特别适用于角座阀和隔膜阀产品。该产品操作简便，软件功能丰富，可轻松通过液晶屏和按键面板进行操作。定位器可通过检测位移传感器信号，对阀位进行快速精确调节。

Series 1600 intelligent electrical valve positioner is designed for one-piece pneumatic control valve design, especially suitable for Angle seat valve and Diaphragm valve products. This product is easy to operate and has rich software functions. Easy to operate through the LCD screen and key panel. The positioner can detect the displacement sensor signal and position the valve fast and accurate adjustment.

技术参数 Technical parameters

材料	聚碳酸酯(PC) 硅橡胶(SI) 聚酰胺(PA6-GF30) 不锈钢(304)
电源	直流24V ±10%
信号输入	0/4 to 20mA 或 0 to 5/10 V
设定信号输入阻抗	0/4-20mA信号时 240Ω 0-5/10V信号时 21KΩ
压缩空气要求 颗粒度要求 颗粒密度要求 凝点要求 油脂浓度要求	中性气体, 符合 DIN ISO 8573-1 要求 Class 5 (<40µm particle size) Class 5 (<10mg/m3) Class 3 (<-20°C) Class 5 (<25mg/m3)
环境温度	0-55°C
	1/4英寸插入式软管接头(内径Φ6mm)
电气快速接头	M12 三针 B标准(电缆直径ø 4-6mm) M12 四针 D标准(电缆直径ø 4-6mm) M12 五针 A标准(电缆直径ø 4-6mm)
气源压力	3-7 bar, 具体值视执行机构而定
气体输出流量	18 l/min, 55 l/min(仅单作用)
阀门行程控制范围	直行程 5-50 mm 角行程 90°
安装方式	倾向于安装在执行器顶端, 通过M26螺纹和执行器连接
防护等级	Ip65
功耗	<5W



1600/JZFAS-16P/R  
调节型气动螺纹角座阀  
External regulation pneumatic  
thread Angle seat valve



1500/JZFCF-16P/R  
调节型全不锈钢法兰角座阀  
Adjustable all stainless steel  
flange angle seat valve

1600 系列智能电气阀门定位器是一款基于微处理器的阀门开度调节器。阀门开度可通过外部输入信号设定。定位器运用自动控制算法和 PWM 控制技术，快速而准确地实现阀门的开度调节，从而来控制流体管路的流量。

1600 series intelligent electrical valve positioner is a microprocessor based valve opening regulator. Valve opening can be set by external input signal. The positioner USES automatic control algorithm and PWM control technology to quickly and accurately realize the valve opening adjustment, so as to control the flow of the fluid pipeline.

注：该产品可在密封空间中使用，并实现远程自动控制。它具有传输特性，安全位置，紧闭等多种辅助功能。同时它容易安装，操作和维护，并且故障率低。

Note: this product can be used in sealed space and realize remote automatic control. It has many auxiliary functions, such as transmission characteristic, safe position, close, etc. And it's easy to install, operate and maintain. And the failure rate is low.

# DIAPHRAGM VALVE SERIES

## 隔膜阀系列



佳信智造 完善创新  
JIA XIN MANUFACTURE PERFECT INNOVATION



G681F-10P/R  
气动快装隔膜阀  
Pneumatic fast loading diaphragm valve



1500/G681F-10P/R  
调节型气动快装隔膜阀  
External regulation pneumatic fast loading diaphragm valve



1600/G681F-10P/R  
调节型气动快装隔膜阀  
External regulation pneumatic fast loading diaphragm valve



G681F-10P/R  
全不锈钢气动快装隔膜阀  
All stainless steel diaphragm valve pneumatic fast



G685F-10P/R  
气动三通快装隔膜阀  
Pneumatic tee fast loading diaphragm valve



G685F-10P/R  
气动三通U型快装隔膜阀  
Pneumatic tee U fast loading diaphragm valve



G681F-10P/R  
气动罐底阀  
Pneumatic tank bottom valve



G81F-10P/R  
手动快装隔膜阀带取样阀  
Fast loading diaphragm valve with sampling valve manually



G81F-10P/R  
手动快装隔膜阀  
Fast loading diaphragm valve manually



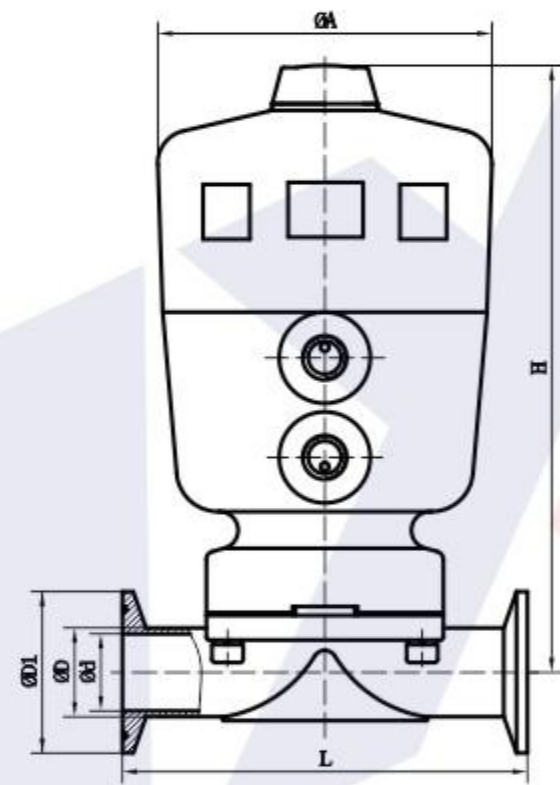
G85F-10P/R  
手动三通隔膜阀  
Manual three-way diaphragm valve



G61F-10P/R  
手动U型三通焊接隔膜阀  
Manual u-shaped three-way welding diaphragm valve



G81F-10P/R  
手动罐底阀  
Manual valve at the tank bottom

G681F-10R  
气动快装隔膜阀

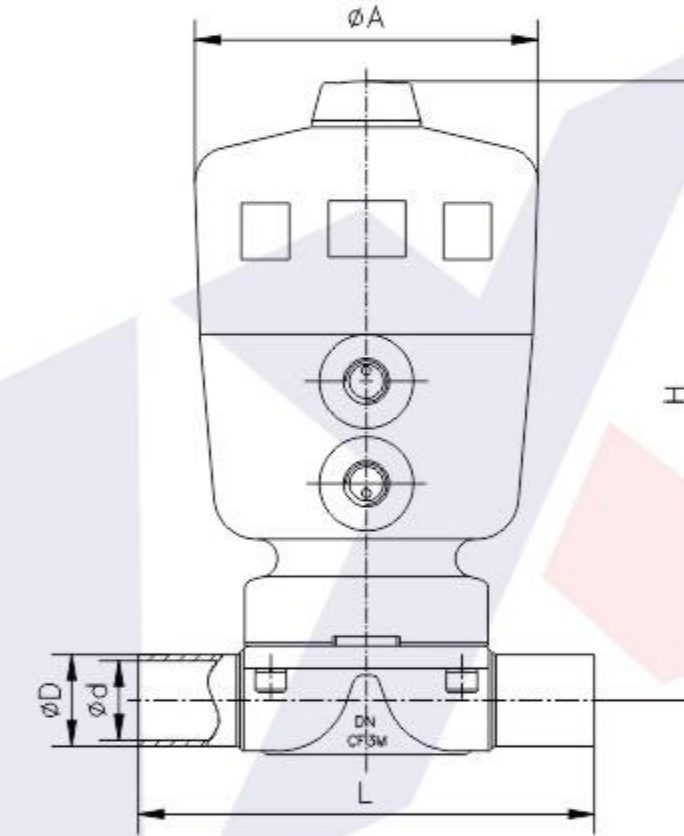
## 技术参数

介质温度: -20°C ~ +150°C  
 环境温度: -20°C ~ +60°C  
 公称压力: 0~1.0MPa  
 规格: DN15~DN50  
 控制气体: 中性气体, 空气  
 气源压力: 0.3~0.8MPa  
 气缸材料: PA66  
 阀体材质: 316L  
 膜片材质: EPDM EPDM+PTFE  
 阀杆材质: 304  
 密封圈材质: NBR

## Technical parameters

Medium temperature: -20 °C ~ +150 °C  
 Ambient temperature: -20 °C ~ +60 °C  
 Nominal pressure: 0 ~ 1.0 MPa  
 Specification: DN15 ~DN50  
 Control gas, gas, air  
 Air pressure: 0.3 ~ 0.8 MPa  
 Cylinder material: PA66  
 The valve body material: 316 l  
 diaphragm material: EPDM EPDM +PTFE  
 Stem material: 304  
 Sealing ring material: NBR

型号 model	L	d	D	D1	A	H	执行器 Actuator
Dn15	86	9.4	12.7	25.0	64	122	Φ50
DN20	108	15.8	19.1	25.0	80	167	Φ63
DN25	127	22.1	25.4	50.5	100	170	Φ80
DN32	146	28.5	31.8	50.5	100	175	Φ80
DN40	159	34.8	38.1	50.5	126	225	Φ100
DN50	190	47.5	50.8	64	126	238	Φ100

G661F-10R  
气动焊接隔膜阀

## 技术参数

介质温度: -20°C ~ +150°C  
 环境温度: -20°C ~ +60°C  
 公称压力: 0~1.0MPa  
 控制气体: 中性气体、空气  
 气源压力: 0.3~0.8MPa  
 规格: DN10~DN50  
 气缸材料: PA增强/PPS-GF40  
 阀体材质: CF3M  
 膜片材质: EPDM+PTFE  
 阀杆材质: 304  
 密封圈材质: NBR

## Technical parameters

Medium temperature: -20 °C ~ +150 °C  
 Ambient temperature: -20 °C ~ +60 °C  
 Nominal pressure: 0 ~ 1.0 MPa  
 Control gas, gas, air  
 Air pressure: 0.3 ~ 0.8 MPa  
 Specification: DN10~DN50  
 Cylinder material: PA reinforced /PPS-GF40  
 Valve body material: CF3M  
 Diaphragm material: EPDM+PTFE  
 Stem material: 304  
 Sealing ring material: NBR

NPS	DN	L	A	H	d	D	执行器 Actuator
3/8"	DN10	86	64	122	7.8	9.5	Φ50
1/2"	DN15	86	80	145	9.4	12.7	Φ63
3/4"	DN20	108	100	167	15.8	19.1	Φ80
1"	DN25	127	100	177	22.1	25.4	Φ80
1 1/4"	DN32	146	100	180	28.5	31.8	Φ80
1 1/2"	DN40	159	126	225	34.8	38.1	Φ100
2"	DN50	190	126	238	47.5	50.8	Φ100

